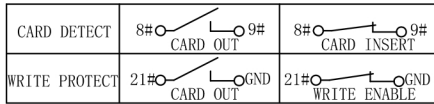


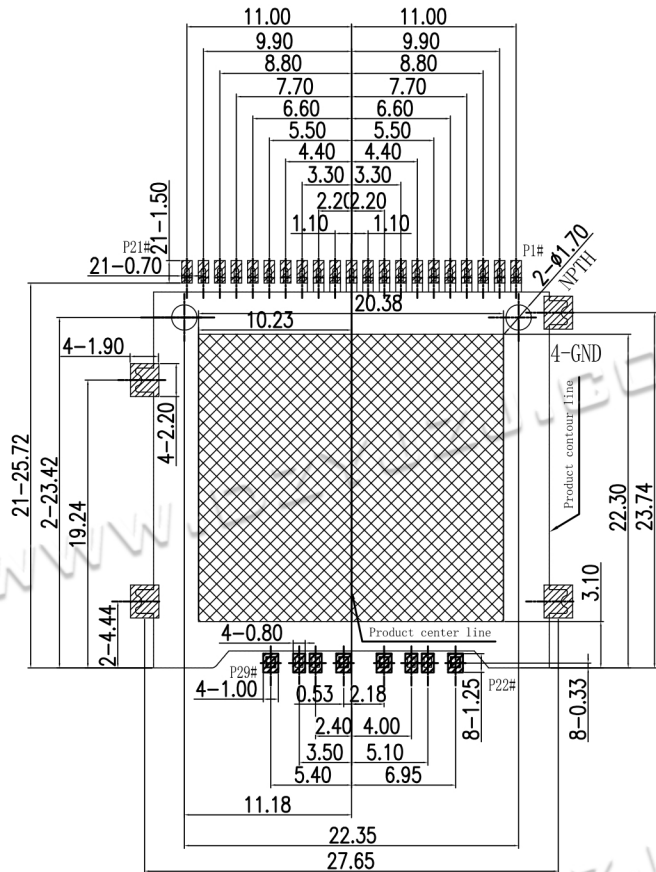


Circuit Diagram for CARD Detect/Write Protect Switch



 深圳市华宇创精密电子有限公司			
TOLERANCE: X.X ±0.30 X.XX ±0.25 X.XXX ±0.15 X' ±2' X.X' ±0.5'	DRAWN BY : 陈一鸣	DATE : 2014-02-23	PART NAME: SD 8.0 NO PUSH SMT 2. 94H
 UNIT: mm [inch]	CHECKED BY: 马跃	DATE : 2014-02-23	PART NO. HYC98-SD29-294
SCALE:1:1	APPROVED BY: 邱敏	DATE : 2014-02-23	MOLD NO. /
SIZE: A4			DRAW NO: HYC-2509011530
			SHEET NO. 1 OF 1




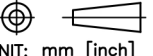
RECOMMEND P.C.B LAYOUT
(General tolerance ±0.05)

▨ PAD AREA
▩ NO COPPER AREA
(NO Trace&Via&GND)

Pin Assignment				
No.	PIN#.	Name	Type	Description
P1	PIN10#	VSS3	S	Supply voltage ground
P2	PIN19#	VDD1a	S	Supply voltage (3.3V)
P3	PIN9#	CLKREQ#	I/O/OD	Reference clock request signal. Also used by L1 PM sub-states
P4	PIN11#	PCIe Tx0+	IDS	Card Input; lane 0
P5	PIN1#	PERST#	I	PE-Reset is a functional reset
P6	PIN12#	PCIe Tx0-	IDS	Card Input; lane 0
P7	PIN2#			Not Used
P8	CD PIN	CD		
P9	PIN3#	VSS1	S	Supply voltage ground
P10	PIN13#	VSS4	S	Supply voltage ground
P11	PIN14#	VDD2	S	Supply voltage (1.8V)
P12	PIN4#	VDD1	S	Supply voltage (3.3V)
P13	PIN15#	PCIe Rx0-	ODS	Card Output; lane 0
P14	PIN5#			Not Used
P15	PIN16#	PCIe Rx0+	ODS	Card Output; lane 0
P16	PIN6#	VSS2	S	Supply voltage ground
P17	PIN17#	VSS5	S	Supply voltage ground
P18	PIN7#	REFCLK+	IDS	PCIe Ref Clock
P19	PIN18#	VDD3	S	Supply voltage (1.2V)
P20	PIN8#	REFCLK-	IDS	PCIe Ref Clock
P21	WP PIN	WP		
P22	PIN20#	VSS6	S	Supply voltage ground
P23	PIN21#	PCIe Tx1+	IDS	Card Input; lane 1
P24	PIN22#	PCIe Tx1-	IDS	Card Input; lane 1
P25	PIN23#	VSS7	S	Supply voltage ground
P26	PIN24#	VDD2a	S	Supply voltage (1.8V)
P27	PIN25#	PCIe Rx1-	ODS	Card Output; lane 1
P28	PIN26#	PCIe Rx1+	ODS	Card Output; lane 1
P29	PIN27#	VSS8	S	Supply voltage ground

Notes:

- Material:
Housing: LCP S475 Black
Terminal: C5210
Shell: SUS304-H
- Plating:
Terminal: 30u" Au Plated On Contact Area And
G/F Plated On Solder Area
Shell: G/F Plated On Solder Area
- Operation Voltage: 10V AC
Current Rating: 1.0A MAX
Contact Resistance: 100m MAX.
Dielectric withstanding voltage: 500V DC/1minute
Insulation Resistance: 1000M Minutes. 500V DC
Operation Temperature: -20 ° +60
Storage Temperature: -20 ° +70
IR Reflow 260°C 5s

 深圳市华宇创精密电子有限公司			
TOLERANCE: X.X ±0.30 X.XX ±0.25 X.XXX ±0.15 X.' ±2' X.X' ±0.5'	DRAWN BY : 陈一鸣	DATE : 2014-02-23	PART NAME: SD 8.0 NO PUSH SMT 2.94H
	CHECKED BY: 马跃	DATE : 2014-02-23	PART NO. HYC98-SD29-294
 UNIT: mm [inch]	APPROVED BY: 邱敏	DATE : 2014-02-23	MOLD NO. _____ DRAW NO: HYC-2509011530
SCALE: 1:1	SIZE: A4	DATE : 2014-02-23	SHEET NO. 1 OF 1